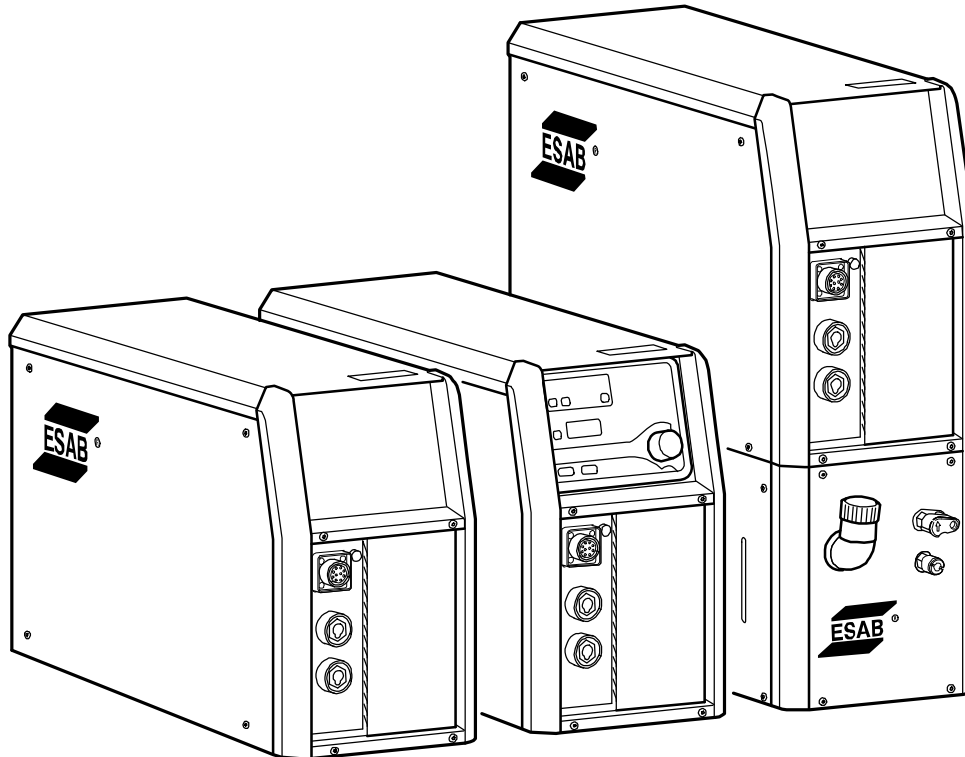


Spare parts list

Edition 20120921



Valid for serial no. 833-xxx-xxxx, 852-xxx-xxxx

Ordering no. Product

- 0460 455 882 Origo™ Mig 4001i
- 0460 455 883 Origo™ Mig 4001iw with cooling unit
- 0460 455 884 Origo™ Mig 4001i A24

Filename Product

- 0459 839 030 Spare parts list for cooling unit CoolMidi 1000
- 0459 839 024 Spare parts list for control panel Origo™ A24

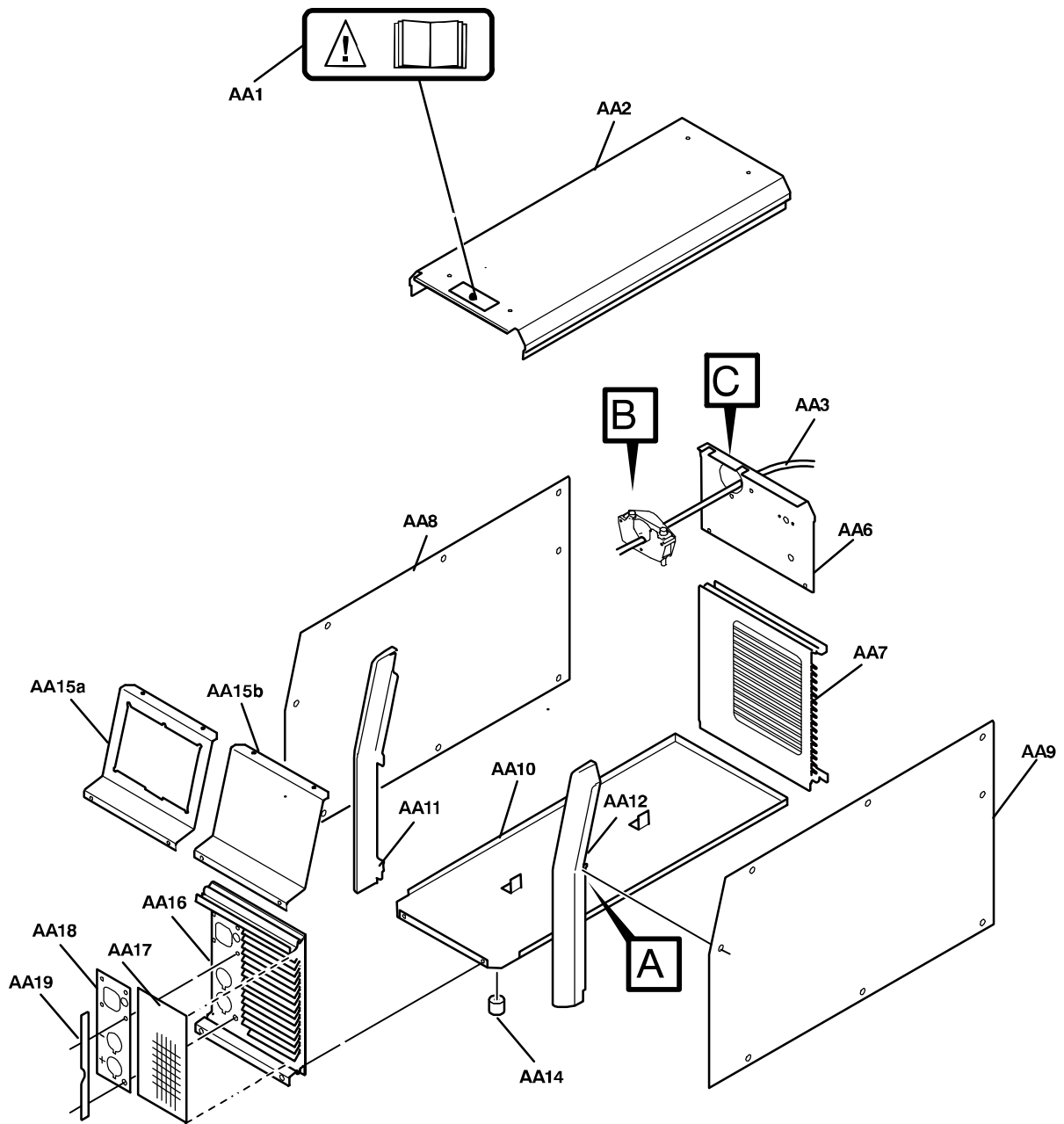
Spare parts are to be ordered through the nearest ESAB agency. Kindly indicate type of unit, serial number, denominations and ordering numbers according to the spare parts list.

Maintenance and repair work should be performed by an experienced person, and electrical work only by a trained electrician. Use only recommended spare parts.

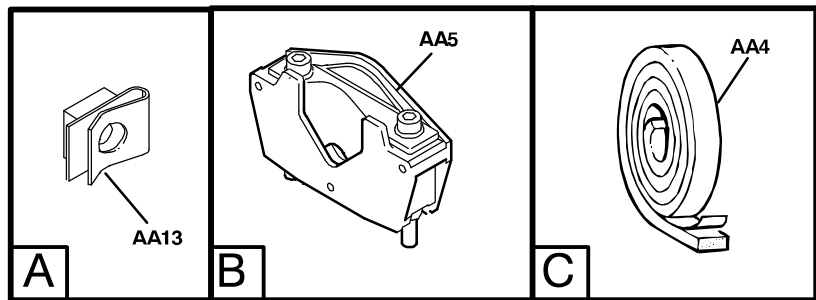
Rights reserved to alter specifications without notice.

Mig 4001i

Item	Qty	Ordering no.	Denomination	Notes
AA1	1	0458 950 001	Sign	
AA2	1	0459 718 003	Cover	
AA3	1	0468 516 886	Mains cable	4x2,5 mm ²
	1	0349 891 208	Motor plug	
AA4	1	0192 526 002	Sealing strip	L01.3m, to be ordered per metre
AA5	1	0469 950 880	Cable inlet	
	3		Screw RXPT	8-16x12
AA6	1	0459 719 880	Rear plate with screen	
AA7	1	0459 725 008	Profil	Rear
AA8	1	0459 720 003	Side panel	Left
AA9	1	0459 720 001	Side panel	Right
AA10	1	0460 451 001	Bottom plate	
AA11	1	0459 723 002	Front gable	Left
AA12	1	0459 722 002	Front gable	Right
AA13	6	0469 381 002	Fast lock nut	M5
AA14	5	0467 695 001	Rubber foot	
	5		Screw	M6x8
AA15a	1	0459 726 005	Front	
AA15b	1	0459 726 004	Front not for panel	Front plate
AA16	1	0459 725 007	Profile	Front
AA17	1	0458 398 002	Dust filter	
AA18	1	0459 789 006	Sticker	
AA19	1	0460 768 001	Slide stop	

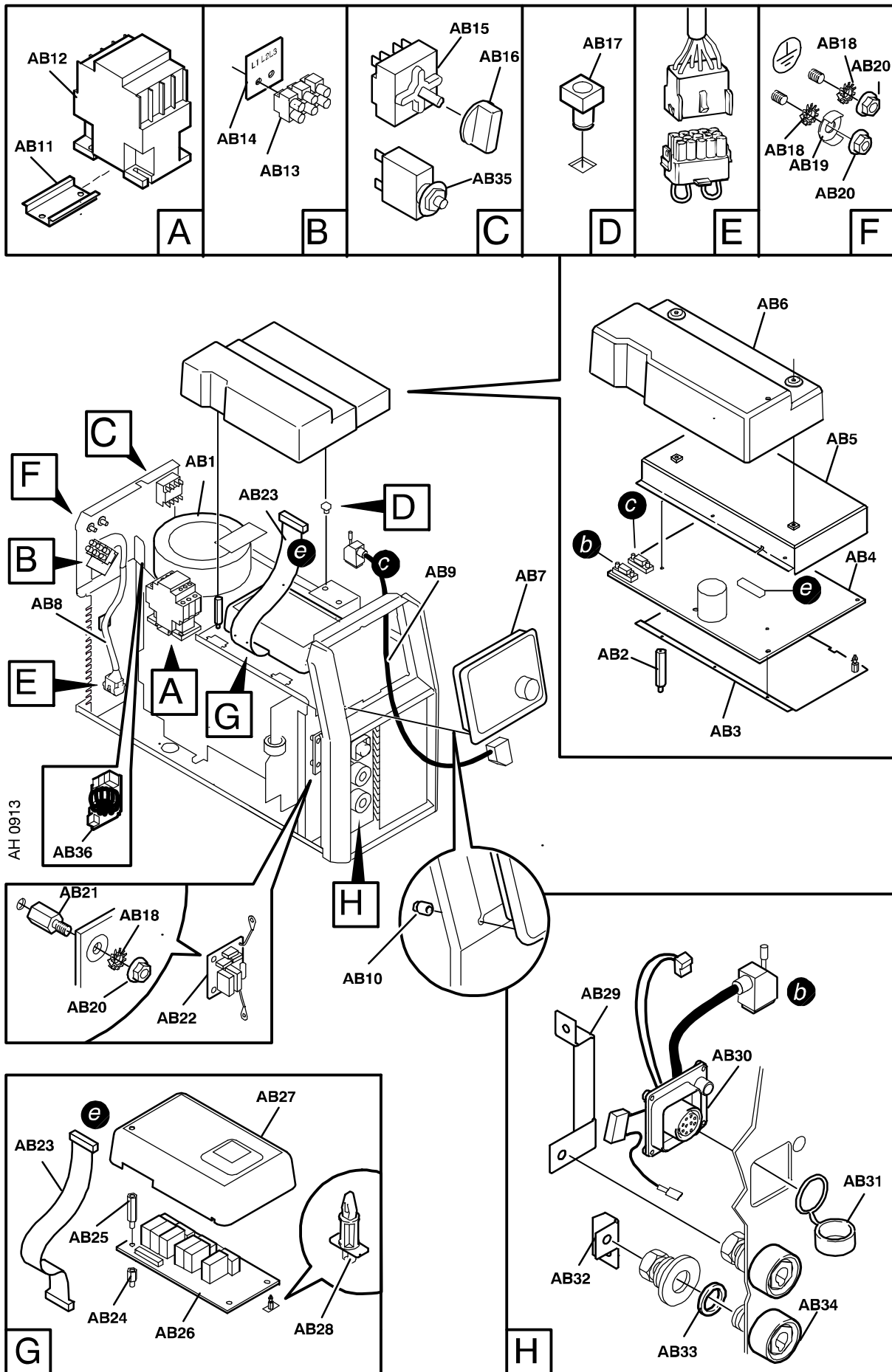


AH 0911



C = component designation in the circuit diagram

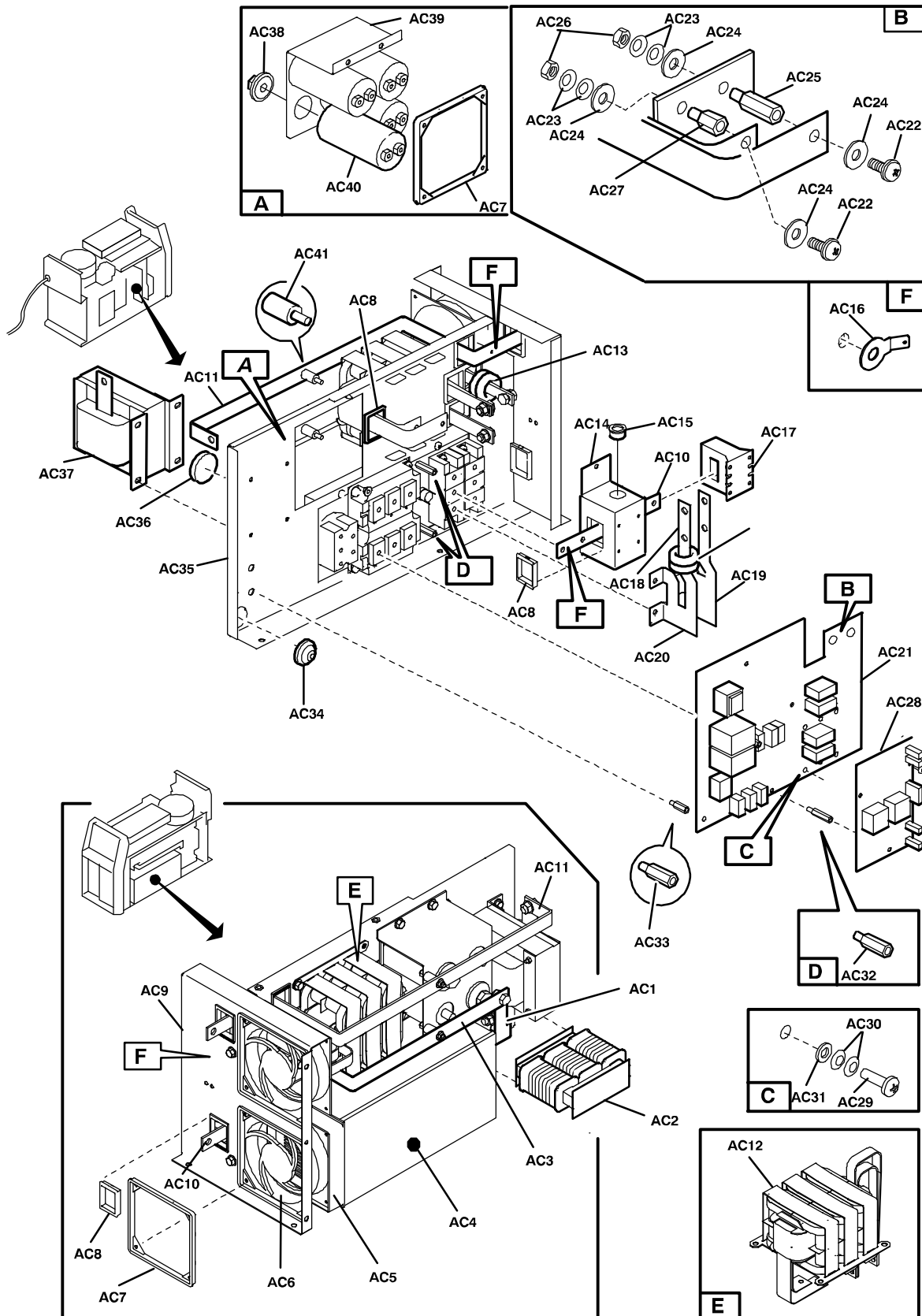
Item	Qty	Ordering no.	Denomination	Notes	C
AB1	1	0460 296 002	Control transformer		2TC1
AB2	1	0394 516 044	Spacing screw	M5x60	
	1		Fuse	0.5 A slow	2FU1
	1		Fuse	4 A slow	2FU3
	1		Fuse	3.15 A slow	2FU2
	1		Fuse	10 A	2FU4
AB3	1	0459 791 001	Bottom (screenbox)		
AB4	1	0487 201 982	PC-board	Configured for Mig 4001i	20AP1
AB5	1	0458 312 001	Screen box cover		
AB6	1	0458 881 002	Protection cap		
AB7	1	0459 773 887	MMC Module A24	Panel A24. See separate spare parts list.	
AB8	1	0460 688 880	Cable assembly	For cooler	
AB9	1	0458 357 885	Cable MMC	D-sub, for panel A24	XP2, XP3
AB10	4	0458 544 001	Insulation nut		
AB11	1	0193 298 101	Bar for contactor		
AB12	1	0193 502 105	Contactor		
AB13	1	0320 378 011	Connection terminal	Terminal block, Delivered as 12 pole, to be cut to 3 pole	
AB14	1	0468 882 004	Sign		
AB15	1	0458 601 001	Switch		2QF1
AB16	1	0366 296 003	Knob		
AB17	1	0194 019 005	Spacer	6,4	
AB18	5	0219 501 308	Washer lock AZ	D10/5,3	
AB19		0264 300 403	Washer		
AB20	6	0192 544 114	Nut	M6MF-8 FZB M5	
AB21	2	0394 516 031	Spacing screw	M5x8	
AB22	1	0486 892 880	PC-board filter		AP1
AB23	1	0193 700 709	Ribbon cable with connectors	26 pole	20XS1
AB24	3	0394 516 033	Spacing screw	M2x12	
AB25	1	0394 516 038	Spacing screw	M5x30	
AB26	1	0486 855 884	Printed circuit board	Relay board compl	20AP2
AB27	1	0458 314 001	Dust protection		
AB28	3	0192 790 104	Spacer	12.7mm	
AB29	1	0460 457 001	Rail	Minus	
AB30	1	0459 901 883	Panel socket	10 pole	2XT1
AB31	1	0366 285 001	Cap		
AB32	1	0460 458 001	Rail	Plus	
AB33	2	0466 325 001	Gasket		
AB34	2	0160 362 881	OKC machine contact	50mm ²	XS1, XS2
AB35	1	0193 586 102	Automatic fuse 10A	Micro Circuit Breaker 10A	2FU4
AB36	1	0455 803 880	PC board	EMC	2AP1



C = component designation in the circuit diagram

Item	Qty	Ordering no.	Denomination	Notes	C
AC1	1	0460 122 001	Bar		3L1
AC2	1	0460 119 011	Primary inductor		
AC3	1	0458 072 001	Rail		15EV1, 15EV2
AC4	1		Semiconductor module	See page 8	
AC5	1	0458 055 001	Spacer		
AC6	2	0458 065 001	Fan		
	4		Screw	MRX-TT M4x8	
AC7	3	0458 076 001	Fan attachment		
AC8	8	0458 074 001	Inlet	Grommet	
AC9	1	0458 059 001	Fan plate		
	3		Screw	M6SF-TT M6x19	
AC10	1	0458 067 001	Rail		
AC11	1	0458 069 001	Rail		15TM1
AC12	1	0458 075 880	Transformer module		
	4		Screw	M6SF-TT M6x14	
AC13	4	0455 569 001	Ferrit ring core		15L1, 15L2
-			Cable tie	Heat resistant	
AC14	1	0458 077 001	Screen plate		15AP3
	2		Screw	MRX-TT M4x8	
AC15	1	0192 041 119	Grommet		
AC16	3	0191 548 009	Flat pin	6.3x0.8	
AC17	1	0458 063 001	Current sensor		
AC18	1	0190 209 120	Hose	Ø 15.9/14, L= 45mm, to be ordered per metre	
AC19	1	0458 068 002	Rail		
AC20	1	0458 068 001	Rail		
	3		Screw	M8x16	
	3		Nut	M8	
AC21	1	0486 739 880	Circuit board	Note: Read the service manual	15AP1
AC22	26		Screw	M5x12	
AC23			Spring washer	Ø 10/5.2x0.5	
AC24	4		Washer	Ø 16/5x1	
AC25	1	0458 991 001	Spacer screw		
AC26	8		Nut	M5	
AC27	1	0458 991 002	Spacer screw		
AC28	1	0486 735 880	Circuit board		
-	2	0193 767 001	Fuse	Fuses S1 and S2 on circuit board 15AP2	
AC29	6		Screw	M6x16	
AC30	12	0219 504 303	Spring washer	T=0.7. Ø 12.5/6.2	15L3
AC31	6		Washer	Ø 12x6.4x1.5	
AC32	5	0394 516 038	Spacer screw	M5x30	
AC33	2	0394 516 035	Spacer screw	M5x18	
AC34	1	0194 069 002	Rubber inlet	Grommet	
AC35	1	0458 054 001	Intermediate plate		
AC36	1	0349 134 001	Rubber distance	Rubber spacer	
AC37	1	0458 066 880	Inductor		
AC38	4	0320 901 003	Insulating nut	M12	
AC39	1	0458 058 001	Support plate		
	2		Screw	M6SF-TT, M6x14	
AC40	4	0192 903 505	Capacitor	1000 µF	
AC41	3	0193 609 105	Insulator		

Mig 4001i



AH 0912

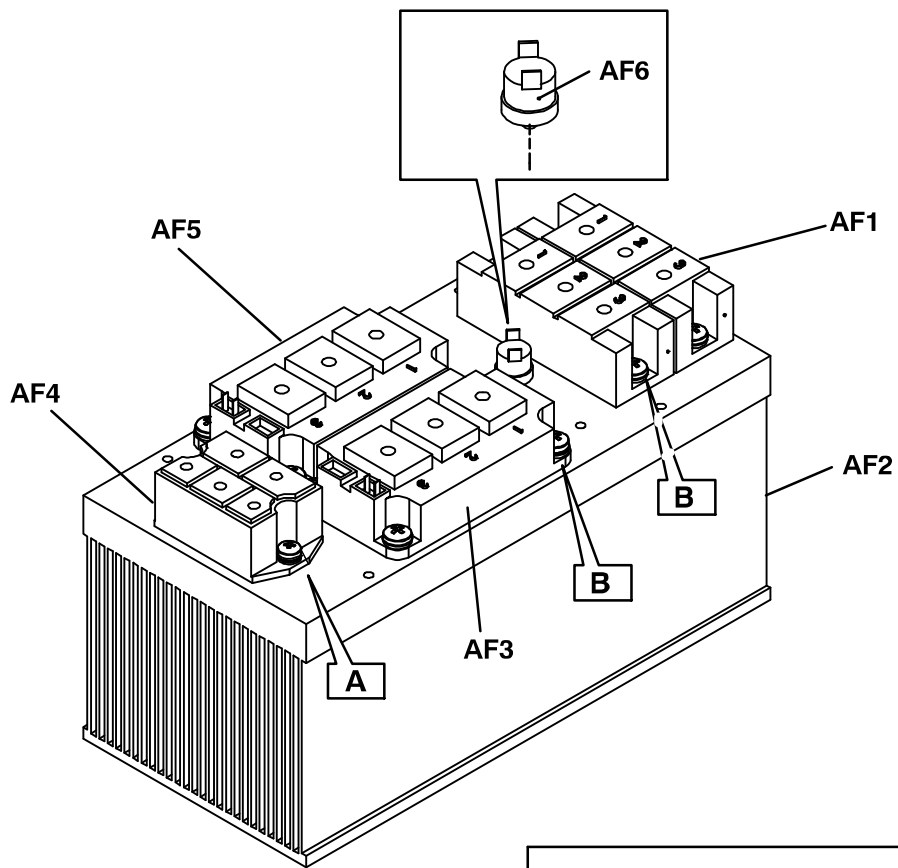
C = component designation in the circuit diagram

Item	Qty	Ordering no.	Denomination	Notes	C
-	1	0458 073 880	Semiconductormodule	Complete. Items AF1 - AF12	
AF1	2		Diode module	See item AF52	15D1, 15D2
AF2	1	0301 011 003	Heat sink		
AF3	1		IGBT module	See item AF50	15Q2
AF4	1		Rectifier bridge	See item AF51	15BR1
AF5	1		IGBT module	See item AF50	15Q1
AF6	1	0456 113 886	Thermal switch		15ST2
AF7	2		Screw	M5x16	
AF8	4		Spring washer	Ø 10/5.2x0.5	
AF9	2		Washer		
AF10	12		Screw	M6x20	
AF11	24		Spring washer	T=0.7, Ø 12.5/6.2	
AF12	12		Washer		
-	1	0192 058 101	Thermalcompound	For fitting of items AF1, AF3, AF4, AF5 and AF6	

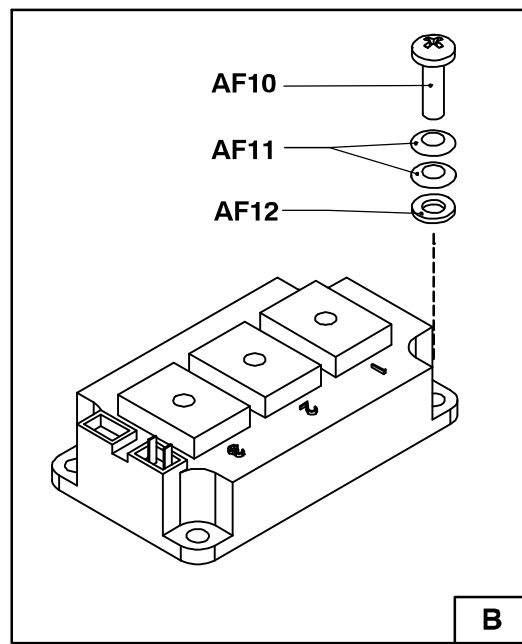
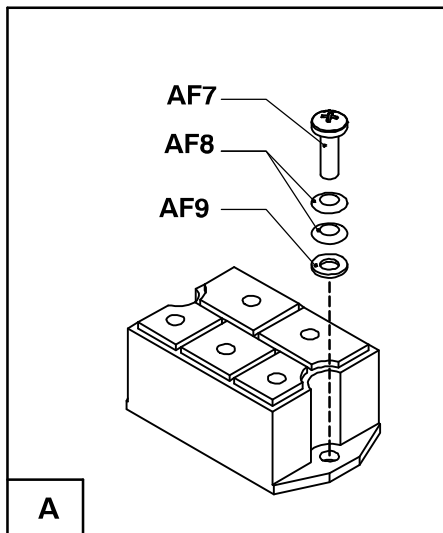
SPARE PARTS SETS

Item	Ordering no.	Denomination	Notes
AF50	0458 920 880	IGBT modules set	Includes: item AF3 IGBT 15Q2, item AF5 IGBT 15Q1, item AF10 screw M6x20, thermal compound, roller and mounting instruction
AF51	0458 920 881	Rectifier set	Includes: item AF4 rectifier bridge 15BR1, item AF7 screw M5x16 thermal compound, roller and mounting instruction
AF52	0458 920 882	Diode module set	Includes: diode module item AF1, AF10 screw M6x20, thermal compound, roller and mounting instruction. Note: there is only one diode module in the set.
-	0458 910 002	Roller handle	For the roller in the spare parts sets above

Mig 4001i

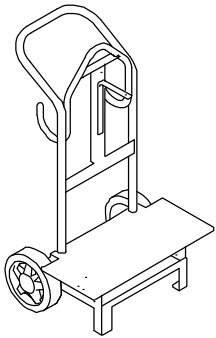
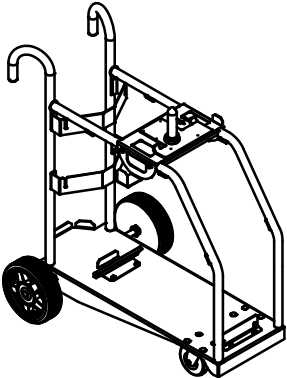
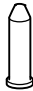
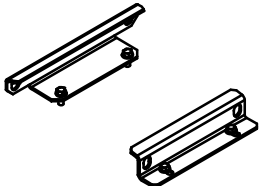
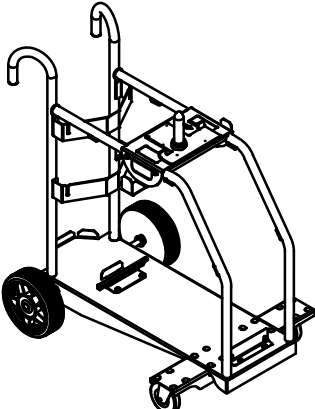


732Q

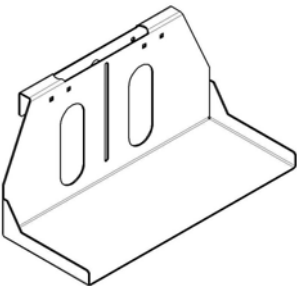
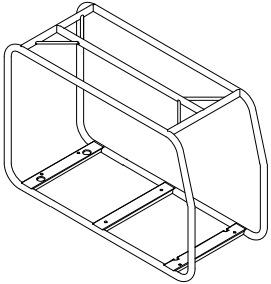
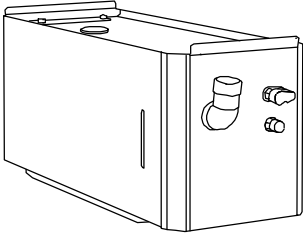
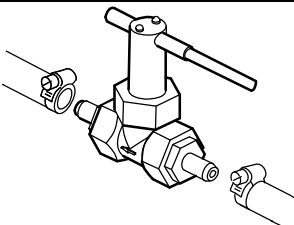
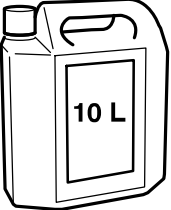


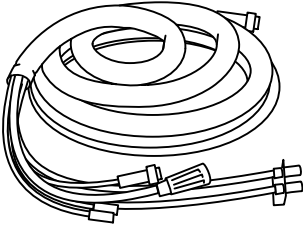



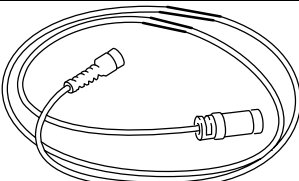
Mig 4001i

Accessories

	Trolley with two wheels 0460 564 880
	Trolley with four wheels 0460 565 880
	Insulating bushing for guide pin, included in trolley 0278 300 401
	Mounting brackets 0460 911 880
	Stabilizer kit for counter balance 0460 946 880

Mig 4001i

	Shelf for feed unit for two wheel trolley 0460 815 880
	Protection frame 0460 459 880 Only for air version
	Cooling unit CoolMidi 1000 0460 490 880
	Water flow guard 0.7 l/min 0456 855 881
Installation kit water return flow guard 0461 203 880	
	Coolant (Ready mixed) 50% water and 50% mono-ethylene glycol (10 l) 0007 810 012

	<p>Connection set 70mm²</p> <p>1.7 m 0459 528 780</p> <p>5 m 0459 528 781</p> <p>10 m 0459 528 782</p> <p>15 m 0459 528 783</p> <p>25 m 0459 528 784</p> <p>35 m 0459 528 785</p> <p>Connection set water 70mm²</p> <p>1.7 m 0459 528 790</p> <p>5 m 0459 528 791</p> <p>10 m 0459 528 792</p> <p>15 m 0459 528 793</p> <p>25 m 0459 528 794</p> <p>35 m 0459 528 795</p>
	<p>Remote control unit MTA1 CAN 0459 491 880</p> <p>MIG/MAG: wire feed speed and voltage MMA: current and arc force TIG: current, pulse and background current</p>
	<p>Remote control unit AT1 CAN . . 0459 491 883</p> <p>MMA and TIG: current</p>
	<p>Remote control unit AT1 CF CAN 0459 491 884</p> <p>MMA and TIG: rough and fine setting of current.</p>
	<p>Remote control cable 10 pole - 4 pole</p> <p>5 m 0459 960 880</p> <p>10 m 0459 960 881</p> <p>25 m 0459 960 882</p>

Information on PSF welding guns can be found in separate brochures.

